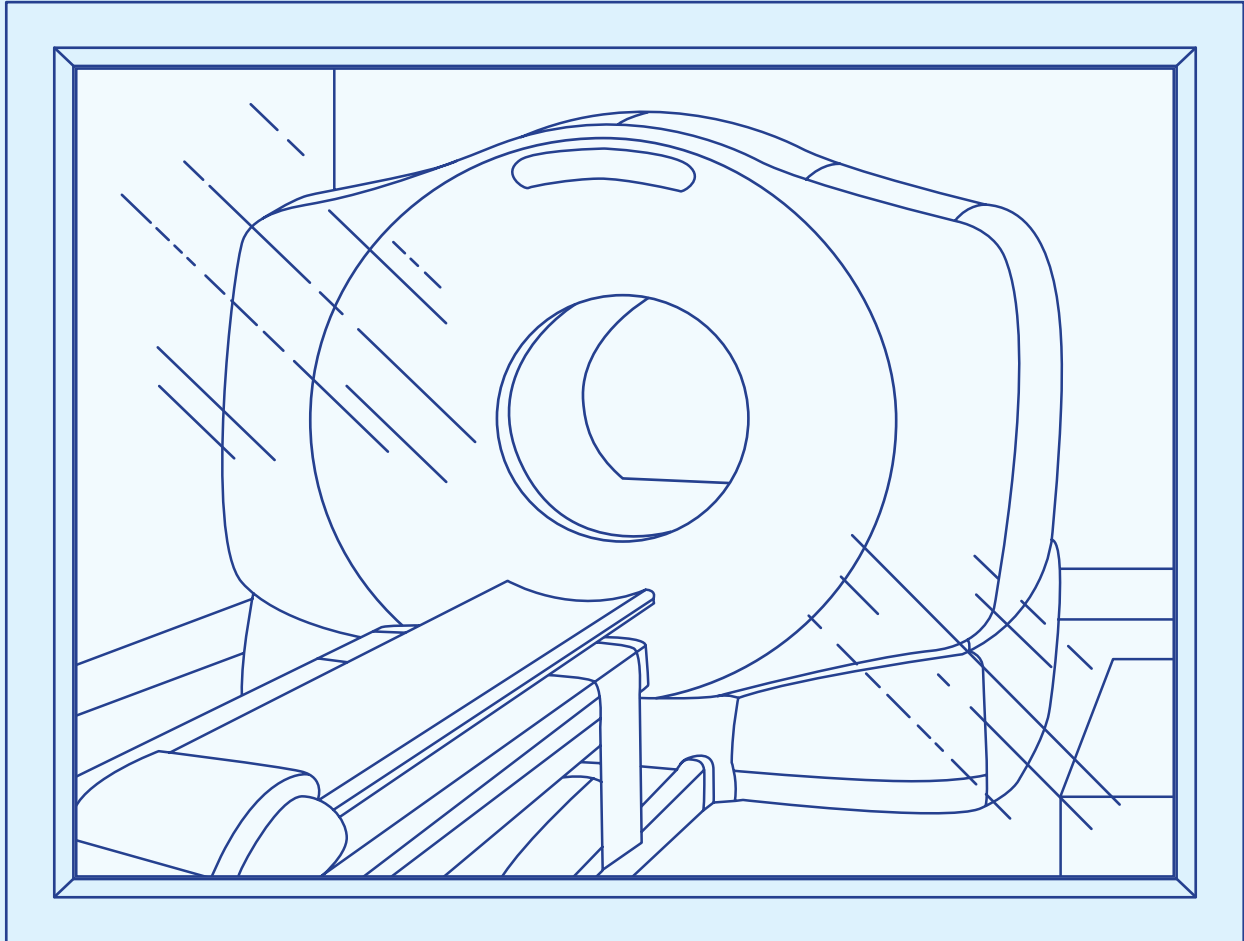


Pro-GR Lead Glass for Shielding Against 0.511 MeV Gamma Rays in PET Scan Treatment



Pro-GR is made of glass materials having a lead oxide content rate of roughly 70% that is equivalent to ultra-high lead content block glass for nuclear power facilities. Pro-GR has a radiation shielding capability higher than that of the conventional LX-57B (lead glass).

Pro-GR Product Data

Product Thickness (mm)	Pro-GR 14.7	Pro-GR 21.8
Lead Equivalent (mm)	5	7.5
Weight (lbs/ft ²)	15.8	23.5
Visible Light Transmission	83%	83%
Specific Gravity	Min. 5.20	Min. 5.20
Refractive Index	1.81	1.81
Maximum Size	1000 mm x 1500 mm (42" x 60")	

► **PRO-GR IS AVAILABLE FOR TIMELY DELIVERY AND LONG LEAD TIMES CAN BE AVOIDED.**